



Harmony STO and STU

Compact color HMI panels from
3.5" to 5.7" screen

Quick access to product information

Get technical information about your product

References

Telefast Pre-wired System
Modicon ABE9 IP 67 passive splitter boxes

References					
Splitter boxes with connections by M2 connector					
Number of channels	Connection by	LED indicator	Reference	Weight (kg)	
4	A-1012	Yes	ABE9C1012	0.270	
6	B-1012	Yes	ABE9C1012	0.320	
8	C-1012	Yes	ABE9C1012	0.370	
Splitter boxes with connections by Cable					
Number of channels	Connection by	Length (mm)	Reference	Weight (kg)	
4	A-1012	5	ABE9C1012	0.280	
		10	ABE9C1012	0.330	
		15	ABE9C1012	0.380	
		20	ABE9C1012	0.430	
		25	ABE9C1012	0.480	
		30	ABE9C1012	0.530	
		35	ABE9C1012	0.580	
		40	ABE9C1012	0.630	
		45	ABE9C1012	0.680	
		50	ABE9C1012	0.730	
		55	ABE9C1012	0.780	
		60	ABE9C1012	0.830	
		65	ABE9C1012	0.880	
		70	ABE9C1012	0.930	
		75	ABE9C1012	0.980	
		80	ABE9C1012	1.030	
		85	ABE9C1012	1.080	
		90	ABE9C1012	1.130	
		95	ABE9C1012	1.180	
		100	ABE9C1012	1.230	

Schneider Electric

Add to favorites | Help | Historic

XB5AL73415
green flush/red projecting double-headed pushbutton Ø22 with marking

Download your XB5AL73415 datasheet

Change your selection

Discover other products & accessories

Discover your Schneider Electric tools

Characteristics | Dimensions Drawings | Mounting and Clearance | Documents & Downloads

Main

Range of product	Harmony XB5
Product or component type	Complete double-headed push-button
Device short name	XB5
Device material	Plastic
Fixing collar material	Plastic
Head type	Standard
Mounting diameter	22 mm
Shape of signaling unit head	Rectangular
Type of operator	Spring return
Operator profile	1 flush - 1 projecting push-buttons
Operator description	Green "I" - red "O"
Contacts type and composition	1 NO + 1 NC
Contact operation	Slow break

Each commercial reference presented in a catalog contains a hyperlink. Click on it to obtain the technical information of the product:

- Characteristics, Dimensions and drawings, Mounting and clearance, Connections and schemas, Performance curves
- Product image, Instruction sheet, User guide, Product certifications, End of life manual

Find your catalog



- > With just 3 clicks, you can reach the Industrial Automation and Control catalogs, in both English and French
- > Download Digi-Cat with this [link](#)

General Catalog

Industrial Automation

360°

- Updated quarterly
- Embeds product selectors and configurators, 360° images, training centers
- Optimized search by commercial reference

Select your training



- > Find the right [Training](#) for your needs on our Global website
- > Locate the training center with the selector tool, using this [link](#)

Training and courses

Training by domain of expertise

General contents

Harmony STO and STU

■ General Presentation	page 2
□ Harmony STU	page 2
- High performance communication	page 2
- Simplified installation	page 2
□ Harmony STO	page 2
- Best-in-class display	page 2
- Panel adaptation fro backward compatibility	page 3
□ HMI software for Harmony Small Panels	page 3
- Vijeo Designer for Harmony STU	page 3
- EcoStruxure Operator Terminal Expert for Harmony STO7●●	page 3
Selection guide	page 4
■ Presentation	page 6
■ Architecture	page 7
■ Description	
□ Harmony STU	page 8
□ Harmony STO	page 9
■ References	
□ Harmony STO and STU	page 10
□ Software	page 10
□ Separate components	page 11
- Replacement parts	page 11
- Accessories	page 12
- Connection to PCs and printers	page 12
- Cables for connecting Harmony terminals	page 13
■ Product reference index	page 14

Harmony STO and STU

Compact color HMI panels from 3.5" to 5.7" screen

Harmony STO and STU compact color Panels

Schneider Electric touch screen small panels offer greater efficiency and ease of use while retaining the inherent features of HMI.

Harmony STO and STU panels are compact open panels offering greater communication capabilities. The high resolution touch screens, clever mounting system, and HMI software make them ideal for machine manufacturer solutions in industry and infrastructure.



Harmony STU



Harmony STO

Harmony STU

High performance communication

With embedded Ethernet connection, communication is more open and faster with Harmony STU panels. In addition, multi-protocol RS-485/232 standard RJ45 ports and USB ports (mini and standard versions) make it easy to communicate with commercially available equipment without extra cost.



USB, Serial and Ethernet ports

Simplified installation

No panel cut-out is required to install a Harmony STU small panel. All you need to do is drill a hole measuring 22 mm in diameter - just like installing a pushbutton. The front module (comprising the screen) is connected to the rear module (comprising the terminals and connectors) via this 22 mm drilled hole.



Pushbutton hole mounting system

Harmony STO

Best-in-class display

With screen quality based on ppi similar to Harmony GTU, the Harmony STO7●● 4.3" color screens support crisp-clear visualization and a high quality display. This enables you to create more attractive and distinguished applications for industry.



Brilliant screen quality

+ Harmony STU/STO → For simple machine manufacturer solutions

Harmony STO (continued)

Panel adaptation for backward compatibility

The unique design of Harmony STO7●● panels with optional adapter frame supports eight times more pixels and a 50 % larger screen size while keeping the same panel cut-out as STO5. This reduces the need for machine redesign or maintenance and also makes it backward-compatible.



Innovative mounting adapter

HMI software for Harmony compact color panels

Vijeo Designer for Harmony STU

Harmony STU terminals are configured using Vijeo Designer software. Vijeo Designer software has an advanced user interface with multiple configurable windows, enabling operator dialogue projects to be developed quickly and easily. A complete set of drivers and function allows you to create everything you need for machine interaction tasks.

EcoStruxure Operator Terminal Expert for Harmony STO7●●

Harmony STO7●● terminals are configured using EcoStruxure Operator Terminal Expert, the innovative software that focuses on the user. The new navigation concepts combined with optimized graphics and animations make it easy to create an intuitive user interface and also provide flexibility in coping with existing HMI screen limitations, resulting in a high quality design experience.



Vijeo Designer software



EcoStruxure Operator Terminal Expert

Harmony STO and STU

Compact color HMI panels from 3.5" to 5.7" screen



Applications
Type of terminal

Display of graphic pages
Small Panels with touch screen



Display
Type
Capacity

Color QVGA TFT LCD (320 x 240 pixels)
3.5" color | 5.7" color

Data entry

Via touch screen

Memory capacity
Application
Expansion

32 MB Flash
-

Functions
Maximum number of pages
Variables per page
Representation of variables
Recipes
Curves
Alarm logs
Real-time clock
Alarm relay
Buzzer

Limited by internal FLASH EPROM memory capacity
Unlimited
Alphanumeric, bitmap, bargraph, gauge, curves, buttons, LEDs
32 groups of 64 recipes
Yes, with log
Yes
Access to the PLC real-time clock
-
Yes

Communication
Asynchronous serial link
Downloadable protocols
Printer link
USB ports
Networks

RS-232C/RS-485
Uni-TE, Modbus and for PLC brands: Allen-Bradley, Omron, Mitsubishi, Siemens
USB for serial or parallel printer
1 host Type A and 1 device Type mini-B
1 Ethernet TCP/IP port (10BASE-T/100BASE-TX)

Development software

Vijeo Designer (on Windows XP Professional and Windows 7 Business 32-bit and 64-bit)

Operating system

Harmony

References

HMISTU655
HMISTU655W | **HMISTU855**
HMISTU855W

Page

10

Display of graphic pages
Small Panels with touch screen



Color TFT LCD (480 x 272 pixels)
4.3" color

Via touch screen

26 MB Flash
-

Limited by internal FLASH EPROM memory capacity
Unlimited
Alphanumeric, bitmap, bargraph, gauge, curves, buttons, LEDs
32 groups of 64 recipes
Yes, with log
Yes
Option: RTC battery set
-
Yes

RS-232C/RS-485
Uni-TE, Modbus and for PLC brands: Allen-Bradley, Omron, Mitsubishi, Siemens
USB for serial or parallel printer
1 host Type A and 1 device Type mini-B
1 Ethernet TCP/IP port (10BASE-T/100BASE-TX)

EcoStruxure Operator Terminal Expert (on Windows 7 and Windows 8, Windows 10)

Harmony

HMISTO7•5

10



Harmony STU 5.7"



Harmony STU 3.5"



Harmony STO 4.3"

Presentation

The Harmony small panels offer includes the following touch screen terminals:

- Harmony STU, with 3.5" and 5.7" TFT color screens
- Harmony STO, with 4.3" 64 K TFT color screen

Operation

The features of Harmony STU and STO terminals draw on key technological innovations:

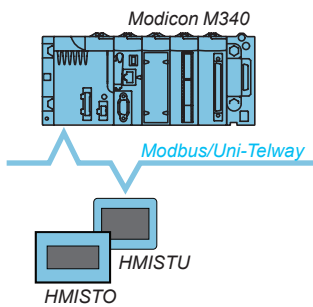
- All Harmony STU and STO models are equipped with:
 - 2 USB V2.0 ports for data transfer
 - Harmony STU models feature:
 - 1 RJ45 port, enabling integration of an Ethernet TCP/IP network and the use of the services associated with this (in particular, the Web Gate function)
 - Harmony STO735 supports Ethernet only and Harmony STO715 supports RJ45 port

Communication

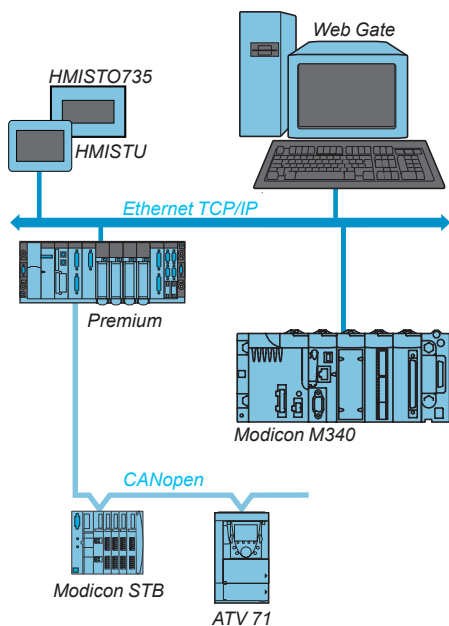
Harmony STO/STU terminals communicate with PLCs via an integrated serial link, using the following communication protocols:

- **Schneider Electric** (Uni-TE, Modbus)
- **Third-party:** Mitsubishi Electric, Omron, Allen-Bradley and Siemens

Harmony STU and STO 735 terminals are connected on Ethernet TCP/IP networks via Modbus TCP or a third-party protocol.



Example of serial link architecture



Example of Ethernet TCP/IP network architecture

Presentation

Harmony Human Machine Interfaces communicate with automation system equipment:

- Via serial link
- By means of integration in an Ethernet TCP/IP architecture

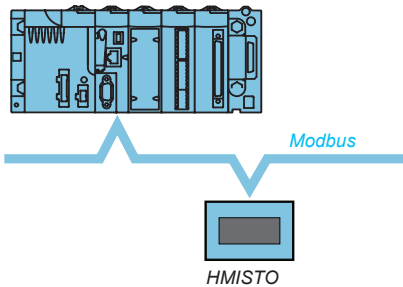
Communication via serial link

All Harmony terminals feature an integrated RS-232C or RS-422/485 asynchronous serial link.

Use of the Uni-TE or Modbus protocol makes it easy to set up communication with Schneider Electric PLCs. Third-party protocols enable connection to PLCs offered by major manufacturers on the market:

- DF1, DH485 for Allen-Bradley PLCs
- SysmacWay for Omron PLCs
- MPI/PPI for Siemens Simatic S7 PLCs
- Mitsubishi Melsec FX PLC

Modicon M340



Examples of connections

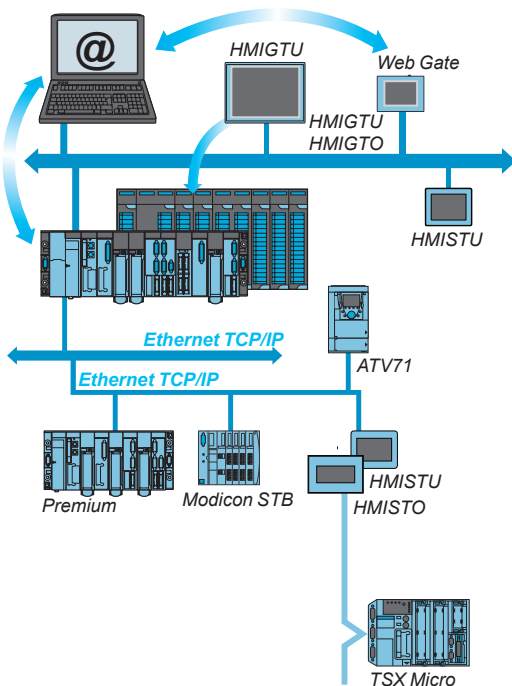
Integration in an architecture with Ethernet TCP/IP network

Automation platforms provide transparent routing of Uni-TE or Modbus messages from a TCP/IP network to a Uni-TE or Modbus network and vice versa. The various services offered for the terminals are:

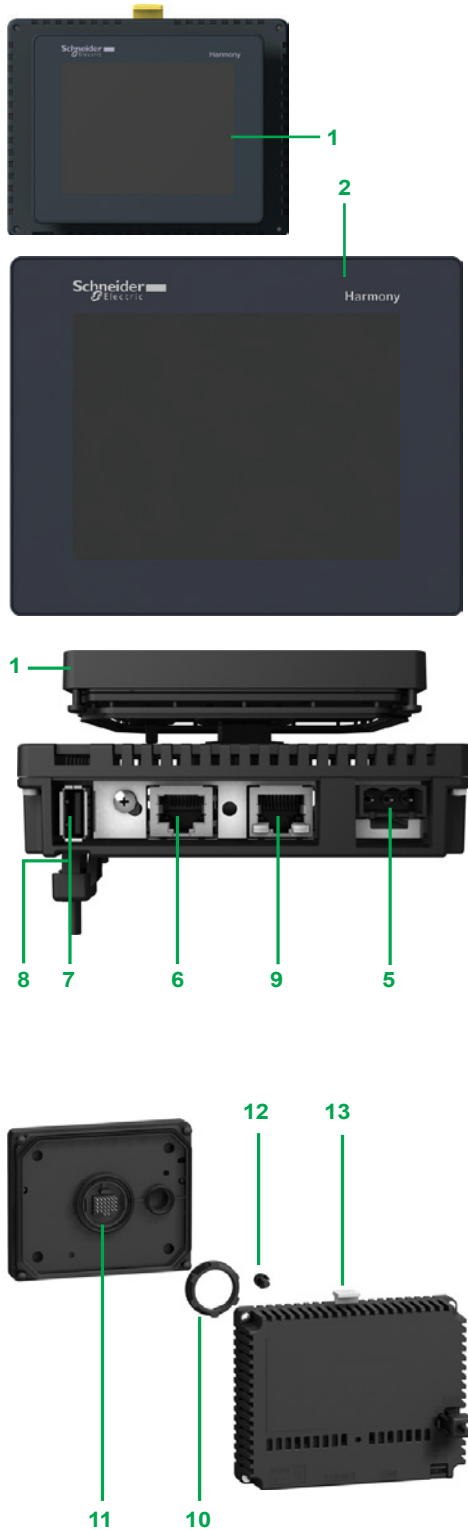
- **Modbus TCP/IP messaging** (HMIGTU and HMIGTO(1), access with Ethernet TCP/IP Modbus protocol)

With Vijeo Designer Configuration software:

- **Browse function** with HMIGTU or standard PC
- **Web Gate function**: Diagnostics for remote control of the application
- **FTP server**: Transfer of data files to the terminal
- **Data Sharing function**: Data exchange on Ethernet between 8 terminals (maximum)
- **E-mail function**



(1) Compatible with Vijeo Designer HMI Configuration software and EcoStruxure Operator Terminal Expert (until version 3.1 only).



Description

Harmony STU 3.5" and 5.7"

Front view

Harmony STU panels have the following on the front, depending on the model:

- 1 Harmony STU655: A touch screen for displaying synoptic views (3.5" color TFT)
- 2 Harmony STU855: A touch screen for displaying synoptic views (5.7" color TFT)
- 3 Harmony STU655W: STU655 touch screen (3.5" color TFT) without Schneider logo on front face
- 4 Harmony STU855W: STU855 touch screen (5.7" color TFT) without Schneider logo on front face

Rear view

Harmony STU panels have the following on the rear:

- 5 A removable screw terminal block for 24 V \square power supply
- 6 An RJ45 connector for RS-232C or RS-485 serial link connection to PLCs (COM1)
- 7 A USB Type A host connector for:
 - Connection of a peripheral device
 - Connection of a USB memory stick
 - Application transfer
- 8 A USB Type mini-B device connector for application transfer (on the left-hand side)
- 9 An RJ45 connector for the Ethernet TCP/IP 10BASE-T/100BASE-TX link

Fixing system

A Harmony STU is made up of a front module (comprising the screen) and a rear module (comprising the CPU plus terminals and connectors). The two modules are fixed together via a hole measuring 22 mm in diameter. The fixing system contains the following elements:

- 10 A fixing nut
- 11 A seal
- 12 An anti-rotation tee (can be used as an option)
- 13 A release mechanism: simply press to separate the two modules once they have been fixed together



Harmony STO705 front view

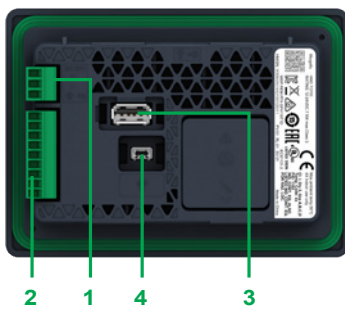
Description (continued)

Harmony STO 4.3"

Front view

Harmony STO panels have the following on the front:

- 1 A touch screen for displaying synoptic views (4.3" color TFT)



Harmony STO705 rear view

Rear view

Harmony STO panels have the following on the rear:

- 1 A removable screw terminal block for the power supply:
 - 12...24 V $\overline{\text{---}}$ power supply for STO7●●
- 2 A connector for connecting to PLCs or controllers, depending on the terminal model:
 - Harmony STO-715: An RJ45 (COM1) connector for RS-232C or RS-485 serial link
 - Harmony STO-735: An RJ45 (ETHERNET) connector for Ethernet 10BASE-T/100BASE-TX link
 - Harmony STO -705: A 9-way removable screw terminal block (COM1) for RS-232C serial link using Zelio protocol
- 3 A USB Type A host connector for:
 - Connection of a peripheral device
 - Connection of a USB memory stick
 - Application transfer
- 4 A USB Type mini-B device connector for:
 - Power supply for program transfer to STO7●●



HMIST0715



HMISTU655



HMISTU855

Harmony STO						
Type of screen	Number of ports	Application memory capacity	CFast memory	Embedded Ethernet	Reference	Weight kg/lb
4.3" color touch screen						
TFT	1 COM1 (4) 2 USB	26 MB	No	No	HMISTO705	0.220/ 0.485
TFT	1 COM1 (1) 2 USB	26 MB	No	No	HMISTO715	0.220/ 0.485
TFT	1 ETHERNET (2) 2 USB	26 MB	No	1	HMISTO735	0.220/ 0.485

Harmony STU						
Type of screen	Number of ports	Application memory capacity	CFast memory	Embedded Ethernet	Reference	Weight kg/lb
3.5" color touch screen						
TFT	1 COM1 (1) 1 ETHERNET (2) 2 USB	32 MB	No	1	HMISTU655	1.000/ 2.205
Without logo on front face	1 COM1 (1) 1 ETHERNET (2) 2 USB	32 MB	No	1	HMISTU655W	1.000/ 2.205
5.7" color touch screen						
TFT	1 COM1 (1) 1 ETHERNET (2) 2 USB	32 MB	No	1	HMISTU855	0.615/ 1.356
Without logo on front face	1 COM1 (1) 1 ETHERNET (2) 2 USB	32 MB	No	1	HMISTU855W	0.615/ 1.356

Software			
Configuration software			
Description	Operating system	Compatible with	Weight kg/lb
Vijeo Designer	Windows XP Professional Windows 7 Business (32-bit and 64-bit)	HMISTU	–
EcoStruxure Operator Terminal Expert	Windows 7, Windows 8 and Windows 10	HMISTO color panels	–

(1) RS-232C or RS-485 serial interface with RJ45 connector.
 (2) Ethernet 10BASE-T/100BASE-TX link.
 (3) RS-232C serial interface using Zelio protocol, for direct connection to Zelio Logic SR2/SR3 controllers.
 (4) RS-232C serial interface with 9-pin terminal block connector.



PF153914B
HMIZCLP1



PF153915A
HMIZCLP3



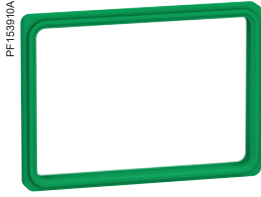
DF513818
ZB5AZ905

Separate components

Description	Description/function	Compatible with	Reference	Weight kg/lb
Accessory kit	Contains: <ul style="list-style-type: none"> ■ An anti-rotation tee ■ A USB Type A clamp ■ A USB Type mini-B clamp ■ A panel adapter for mounting on an enclosure 1 mm thick 	HMISTU655 HMISTU655W HMISTU855 HMISTU855W	HMIZSUKIT	–
USB clamp	Hold the usb Type A connection in place	HMISTO5●●	HMIZSCLP1	–
	Hold the USB type mini-B connection in place	HMISTO5●●	HMIZSCLP3	–
Protective sheets	5 peel-off sheets for protecting the screen	HMISTU655 HMISTU655W	HMIZS61	–
		HMISTU855 HMISTU855W	HMIZS62	–

Replacement parts

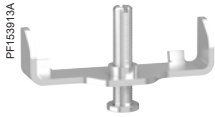
Description	Description/function	Compatible with	Reference	Weight kg/lb
Nuts	Set of 10 nuts, 22 mm (front module of the HMI STU is fixed to the enclosure using a 22 mm nut (see page 10))	HMISTU655 HMISTU655W HMISTU855 HMISTU855W	ZB5AZ901	–
Bezel key	Used to tighten the fixing nut	HMISTU655 HMISTU655W HMISTU855 HMISTU855W	ZB5AZ905	–
Front display	Front display for 3.5" screen	HMISTU655	HMIS65	–
	Front display for 3.5" screen without Schneider logo	HMISTU655W	HMIS65W	–
	Front display for 5.7" screen	HMISTU855	HMIS85	–
	Front display for 5.7" screen without Schneider logo	HMISTU855W	HMIS85W	–
Rear module	Rear module for Harmony STU product	HMISTU655 HMISTU655W HMISTU855 HMISTU855W	HMIS5T	–



HMIZS501



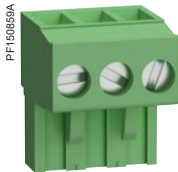
HMIZSRTC1



HMIZSFIX1



HMIZUV0W



HMIZSPWO

Accessories

Type	Description/function	Compatible with	Sold in lots of	Unit reference	Weight kg/lb
Installation gasket	Installation gasket for 4.3" screen	HMISTO	-	HMIZS501	-
Panel cut-out adapter	For mounting a 4.3" screen into a 3.4" STO panel cut-out	HMISTO	-	HMIZSADCO1	-
RTC battery set	For back-up of real time clock data during power-off	HMISTO	-	HMIZSRTC1	-
Installation fastener	For mounting the screen into a solid panel	HMISTO	2	HMIZSFIX1	-
Protection sheet	4.3" wide anti-UV screen protection sheet	HMISTO	1	HMIZUV0W	-
Spring clips (replacement parts)	Spring clip for STO7●● with panel cut-out adapter	HMISTO	12	XBTZ3002	0.200/ 0.441
Power supply connector (replacement parts)	Power supply connector for all Harmony STO panels	HMISTO	5	HMIZSPWO	-
	Power supply connector for all Harmony STU panels	HMISTU	5	XBTZGPWS1	-

Connection to PCs and printers

Used	Compatible with	Length m/ft	Peripheral side connector	Reference	Weight kg/lb
USB cable for PC connection (1)	HMISTO/STU	2.5/ 8.20	USB Type A male	XBTZG935	-
	HMISTO/STU	1.8/ 5.91	USB Type mini-B male	BMXXCAUSBH018	0.230/ 0.507
Serial printer cables	HMISTO/STU	1.8/ 5.91	9-way male SUB-D	HMIZURS	-
USB host extension cable	HMISTO/STU	2/ 6.56	USB Type A male, dust and damp proof	XBTZGUSB	0.220/ 0.485
USB device extension cable	HMISTO/STU	2/ 6.56	USB Type mini-B male, dust and damp proof	HMIZSUSBB	-

(1) Adapter to be used with XBTZ925 cable.

Harmony STO and STU

Compact color HMI panels from 3.5" to 5.7" screen
Separate components

Cables for connecting Harmony terminals						
Type of PLC to be connected	Type of connector	Physical link	Protocol	Length m/ft	Reference	Weight kg/lb
Direct connection of HMI STO/STU terminals to Schneider Electric PLCs						
Modicon Nano, Modicon TSX Micro, Modicon Premium	Mini-DIN	RS-485	Modbus/Uni-TE	2.5/ 8.20	XBTZ9780	–
				10/ 32.81	XBTZ9782 (1)	–
Modicon M340	RJ45	RS-485	Modbus	2.5/ 8.20	XBTZ9980	–
				10/ 32.81	XBTZ9982 (1)	–
Direct connection of Harmony STO/STU terminals to Modicon STB I/O (3)						
Modicon STB	HE13 (NIM)	RS-232	Modbus	2.5/ 8.20	XBTZ9715	–
Direct connection of Harmony STO/STU terminals to Schneider Electric motor starters and drives (1)						
TeSys U, T ATV 312/32/61/71 variable speed drives ATS 48 starter Lexium 32, Preventa XPSMC	RJ45	RS-485	Modbus	2.5/ 8.20	XBTZ9980	–
Direct connection of Harmony STO/STU terminals to third-party PLCs (3)						
Allen-Bradley SLC5	9-way male SUB-D	RS-232	DF1	2.5/ 8.20	XBTZ9734	–
	Micro-logix Micro-logix 1000	RS-232	DF1	2.5/ 8.20	XBTZ9733	–
Mitsubishi FX	8-way female mini-DIN	RS-232/ RS-422 converter	Melsec FX	2.5/ 8.20	XBTZ980 + (4)	–
Omron CPM1, CPM2, CJ1, CS1	9-way male SUB-D	RS-232	Sysmacway	2.5/ 8.20	XBTZ9743	–
Siemens S7 (PG)	9-way male SUB-D	RS-485	PPI	2.5/ 8.20	XBTZG9721	0.210/ 0.463
Bus and network connections for Harmony STO/STU terminals						
Type of bus/network	Tap-off units	Type of connector	Length	Reference	Weight kg/lb	
Uni-Telway serial link	Connection box TSXPACC01	8-way female mini-DIN	2.5/ 8.20	XBTZ9780	0.180/ 0.397	
Modbus serial link	8-port Modbus splitter box LU9GC3, Modbus tap-off, TWDXCAISO, TWDXCAT3RJ	RJ45	2.5/ 8.20	XBTZ9980	–	

(1) For Harmony XBTN200/N400/R400/RT500, use a cable with XBTZRTPW adapter and a 5 V \pm power supply.

(2) Cable included with 9-way removable screw terminal block.

(3) For XBTRT500, use a cable with XBTZRTPW adapter and a 5 V \pm power supply.

(4) XBTZG939 adapter to be used with cables with “ + (4) ” after the reference.

B	
BMXXCAUSBH018	12
H	
HMIS5T	11
HMIS65	11
HMIS65W	11
HMIS85	11
HMIS85W	11
HMISTO705	10
HMISTO715	10
HMISTO735	10
HMISTU655	10
HMISTU655W	10
HMISTU855	10
HMISTU855W	10
HMIZS61	11
HMIZS62	11
HMIZS501	12
HMIZSADCO1	12
HMIZSCLP1	11
HMIZSCLP3	11
HMIZSFIX1	12
HMIZSPWO	12
HMIZSRTC1	12
HMIZSUKIT	11
HMIZSUSBB	12
HMIZURS	12
HMIZUV0W	12
X	
XBTZ980	13
XBTZ3002	12
XBTZ9715	13
XBTZ9733	13
XBTZ9734	13
XBTZ9743	13
XBTZ9780	13
XBTZ9782	13
XBTZ9980	13
XBTZ9982	13
XBTZG935	12
XBTZG9721	13
XBTZGPWS1	12
XBTZGUSB	12
Z	
ZB5AZ901	11
ZB5AZ905	11

Life Is On

Schneider
Electric



Learn more about our products at
www.schneider-electric.com/hmi

The information provided in this documentation contains general descriptions and/or technical characteristics of the performance of the products contained herein. This documentation is not intended as a substitute for and is not to be used for determining suitability or reliability of these products for specific user applications. It is the duty of any such user or integrator to perform the appropriate and complete risk analysis, evaluation and testing of the products with respect to the relevant specific application or use thereof. Neither Schneider Electric nor any of its affiliates or subsidiaries shall be responsible or liable for misuse of the information contained herein.

Design: Schneider Electric
Photos: Schneider Electric

Schneider Electric Industries SAS

Head Office
35, rue Joseph Monier - CS 30323
F-92500 Rueil-Malmaison Cedex
France

DIA5ED2130607EN
January 2020 - V5.0